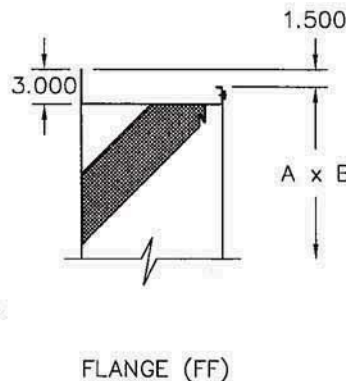
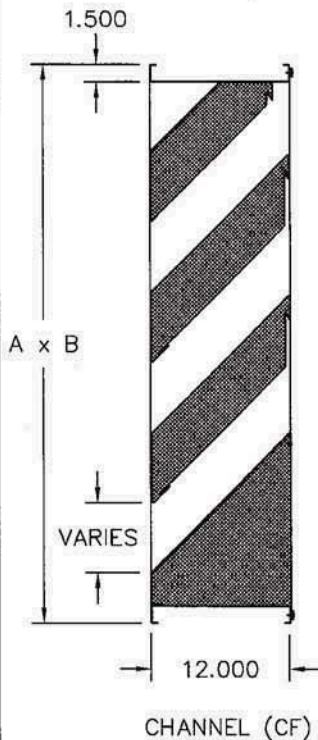
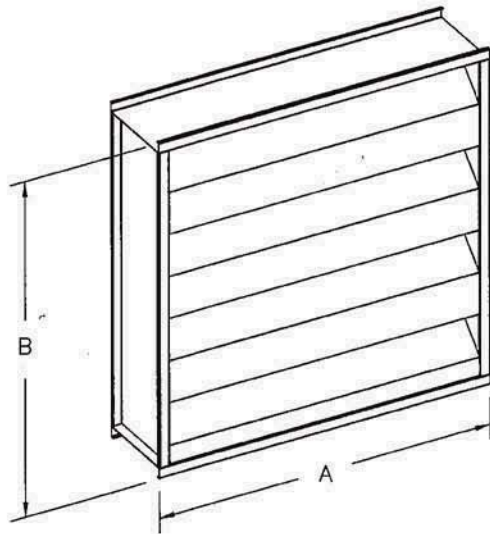


12ACC



STANDARD CONSTRUCTION

- 12" DEEP .100" THICK FORMED ALUMINUM CHANNEL FRAME.
- .080" THICK FORMED ALUMINUM BLADES WITH .050 PERFORATED ALUMINUM INTERIOR SURFACE THAT COVERS INSULATION. BLADES POSITIONED AT 45° ANGLE AND SPACED APPROXIMATELY 12" CENTER TO CENTER.
- INSULATION RUSKATHERM BLANKET.
- .625 x .040" EXPANDED, FLATTENED ALUMINUM BIRD SCREEN IN REMOVABLE FRAME (WBS-1).

MODEL SIZES

- MINIMUM SIZE: 12" x 18"
- MAXIMUM SIZE: (SINGLE SECTION) 48" x 96"

NOTE: LOUVERS LARGER THAN THE MAXIMUM SINGLE SECTION SIZE WILL REQUIRE FIELD ASSEMBLY OF SMALLER SECTIONS.

PRODUCT FEATURES

- 22% FREE AREA BASED ON 48" x 48" UNIT.
- INSULATED BLADES WHICH PROVIDE EFFECTIVE SOUND ATTENUATION AND WEATHER PROTECTION.
- ARCHITECTURALLY PLEASING APPEARANCE.
- PUBLISHED PERFORMANCE RATINGS BASED ON TESTING IN ACCORDANCE WITH AMCA PUBLICATION 511.

MODEL OPTIONS

- EXTENDED SILL
- FRONT OR REAR SECURITY BARS
- FILTER RACKS
- FLANGE FRAME
- BIRD/INSECT SCREENS (REFERENCE SCREEN SUBMITTAL)

FINISHES

- PRIME COAT
- BAKED ENAMEL (MODIFIED FLOUROPOLYMER)
- KYNAR
- CLEAR ANODIZE
- COLOR ANODIZE (SOME VARIATION IN ANODIZE COLOR CONSISTENCY IS POSSIBLE)

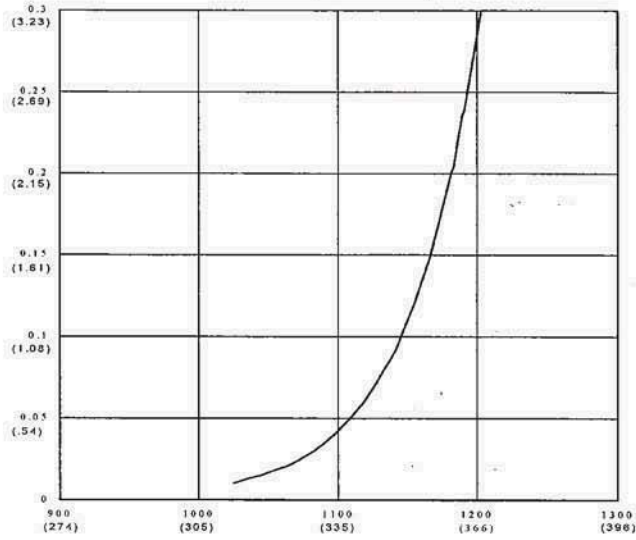
TAG	QTY	ACTUAL SIZE		FRAME
		WIDTH (A)	HEIGHT (B)	

PROJECT:	LOCATION:
ARCH./ENGR.:	CONTRACTOR:
REPRESENTATIVE:	DATE:

ALL STATED SPECIFICATIONS ARE SUBJECT TO CHANGE WITH OUT NOTICE OR OBLIGATION.

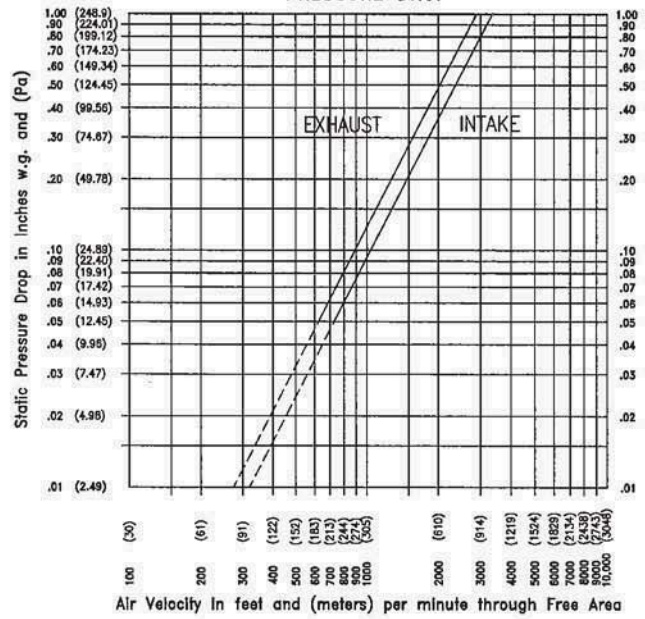
OZ. WATER/FT²(ML WATER/M²) OF FREE AREA
15 MINUTE TEST PERIOD

WATER PENETRATION
BEGINNING POINT OF WATER PENETRATION AT .01 OZ./SQ. FT.
IS 1054 FPM (321 M/MIN.)



FREE AREA VELOCITY IN FEET (METERS) PER MINUTE STANDARD AIR .075 LB/FT³ (1.2 KG/M³) (48" x 48" TEST SIZE)

PRESSURE DROP



Airline Louvers certifies that the 12ACC louvers shown herein are licensed to bear the AMCA Seal. The Ratings shown are based on tests and procedures performed in accordance with AMCA Publication 511 and comply with the requirements of the AMCA Certified Ratings Program. The AMCA Certified Ratings Seal applies to air performance ratings and water penetration ratings only.

Octavo Band Frequency (Hz)	Free Field Noise Reduction (db) Ruskatherm Blanket
2/125	10
3/250	11
4/500	18
5/1000	20
6/2000	19
7/4000	20
8/8000	21

FREE AREA GUIDE

FREE AREA GUIDE SHOWS FREE AREA IN FT² AND M² FOR VARIOUS SIZES OF 12ACC.
WIDTH - INCHES AND METERS

HEIGHT - INCHES AND METERS

	12 0.30	18 0.46	24 0.61	30 0.76	36 0.91	42 1.07	48 1.22	54 1.37	60 1.52	66 1.68	72 1.83	78 1.98	84 2.13	90 2.29	96 2.44
18 0.46	0.07	0.11	0.15	0.20	0.24	0.28	0.33	0.37	0.41	0.46	0.50	0.55	0.59	0.63	0.68
24 0.61	0.01	0.01	0.01	0.02	0.02	0.03	0.03	0.03	0.04	0.04	0.05	0.05	0.05	0.06	0.06
30 0.76	0.19	0.32	0.45	0.57	0.70	0.83	0.96	1.08	1.21	1.34	1.46	1.59	1.72	1.85	1.97
36 0.91	0.02	0.03	0.04	0.05	0.07	0.08	0.09	0.10	0.11	0.12	0.14	0.15	0.16	0.17	0.18
42 1.07	0.34	0.57	0.80	1.03	1.26	1.48	1.71	1.94	2.17	2.40	2.62	2.85	3.08	3.31	3.54
48 1.22	0.03	0.05	0.07	0.10	0.12	0.14	0.16	0.18	0.20	0.22	0.24	0.27	0.29	0.31	0.33
54 1.37	0.47	0.78	1.09	1.40	1.72	2.03	2.34	2.65	2.96	3.28	3.59	3.90	4.21	4.52	4.84
60 1.52	0.04	0.07	0.10	0.13	0.16	0.19	0.22	0.25	0.28	0.30	0.33	0.36	0.39	0.42	0.45
66 1.68	0.57	0.95	1.34	1.72	2.10	2.48	2.86	3.24	3.62	4.01	4.39	4.77	5.15	5.53	5.91
72 1.83	0.05	0.09	0.12	0.16	0.20	0.23	0.27	0.30	0.34	0.37	0.41	0.44	0.48	0.51	0.55
78 1.98	0.70	1.16	1.63	2.09	2.56	3.02	3.49	3.95	4.42	4.89	5.35	5.82	6.28	6.75	7.21
84 2.13	0.06	0.11	0.15	0.19	0.24	0.28	0.32	0.37	0.41	0.45	0.50	0.54	0.58	0.63	0.67
90 2.29	0.80	1.34	1.87	2.41	2.94	3.48	4.01	4.55	5.08	5.62	6.15	6.69	7.22	7.76	8.29
96 2.44	0.07	0.12	0.17	0.22	0.27	0.32	0.37	0.42	0.47	0.52	0.57	0.62	0.67	0.72	0.77
	0.93	1.55	2.17	2.78	3.40	4.02	4.64	5.26	5.88	6.50	7.11	7.73	8.35	8.97	9.59
	0.09	0.14	0.20	0.26	0.32	0.37	0.43	0.49	0.55	0.60	0.66	0.72	0.78	0.83	0.89
	1.03	1.72	2.41	3.10	3.79	4.47	5.16	5.85	6.54	7.23	7.91	8.60	9.29	9.98	10.67
	0.10	0.16	0.22	0.29	0.35	0.42	0.48	0.54	0.61	0.67	0.74	0.80	0.86	0.93	0.99
	1.16	1.93	2.70	3.47	4.25	5.02	5.79	6.56	7.33	8.11	8.88	9.65	10.42	11.19	11.97
	0.11	0.18	0.25	0.32	0.39	0.47	0.54	0.61	0.68	0.75	0.83	0.90	0.97	1.04	1.11
	1.26	2.10	2.95	3.79	4.63	5.47	6.31	7.15	7.99	8.84	9.68	10.52	11.36	12.20	13.04
	0.12	0.20	0.27	0.35	0.43	0.51	0.59	0.67	0.74	0.82	0.90	0.98	1.06	1.13	1.21
	1.39	2.31	3.24	4.16	5.09	6.01	6.94	7.86	8.79	9.72	10.64	11.57	12.49	13.42	14.34
	0.13	0.22	0.30	0.39	0.47	0.56	0.65	0.73	0.82	0.90	0.99	1.08	1.16	1.25	1.33
	1.49	2.49	3.48	4.48	5.47	6.47	7.46	8.46	9.45	10.45	11.44	12.44	13.43	14.43	15.42
	0.14	0.23	0.32	0.42	0.51	0.60	0.69	0.79	0.88	0.97	1.06	1.16	1.25	1.34	1.43
	1.62	2.70	3.78	4.85	5.93	7.01	8.09	9.17	10.25	11.33	12.40	13.48	14.56	15.64	16.72
	0.15	0.25	0.35	0.45	0.55	0.65	0.75	0.85	0.95	1.05	1.15	1.25	1.35	1.45	1.55

ALL STATED SPECIFICATIONS ARE SUBJECT TO CHANGE WITH OUT NOTICE OR OBLIGATION.